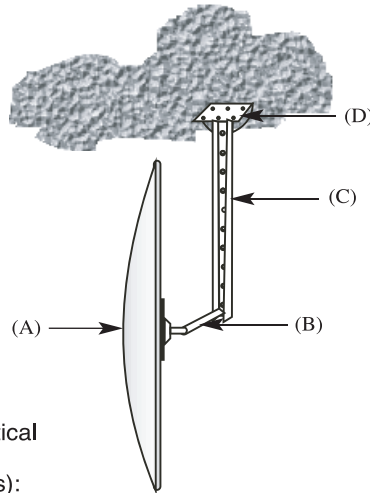


**CVM8030**  
**CRL CONVEX MIRRORS**  
 26" (660 mm) Diameter and Larger

**FOR SUSPENSION FROM CEILING OR TO MOUNT ON COUNTER TOP**

1. Attach Base Plate Bracket (D) to ceiling or counter top
2. Attach "U" Channel Bracket (C) to Base Plate Bracket (D)
3. Attach Mirror (A) to "J" Bracket (B) and adjust for proper angle
4. Tighten screws on ball bracket to fix Mirror in desired position



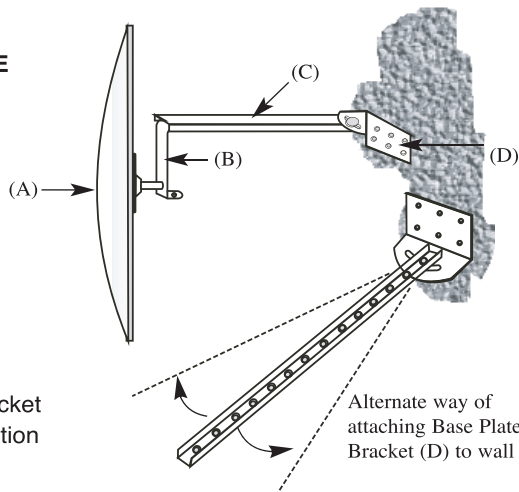
**Tips on Installation (Safety Use)**

Avoid collisions at intersections:  
 Place Mirrors as close to eye level as practical

Theft and intrusion protection (Retail Stores):  
 Place Mirrors up high in a position so that the image can be seen by attendant over and behind obstructions

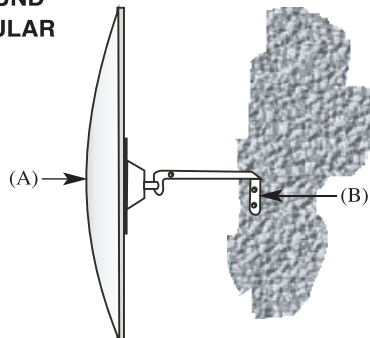
**FOR EXTENDED WALL USE**

1. Attach Base Plate Bracket (D) to wall
2. Attach "U" Channel Bracket (C) to Base Plate Bracket (D)
3. Attach "J" Bracket (B) to Channel Bracket (C)
4. Attach Mirror (A) to "J" Bracket (B) and adjust for proper angle
5. Tighten screws on ball bracket to fix Mirror in desired position



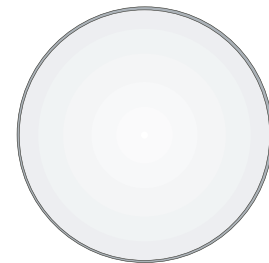
**FOR CLOSE WALL USE ON 13" - 18" ROUND MIRRORS AND ON SMALLER RECTANGULAR MIRRORS USE "J" BRACKET ONLY (MUST BE ORDERED SEPARATELY)**

1. Attach "J" Bracket (B) to wall or post with screws or lag bolts
2. Attach Mirror (A) to "J" Bracket (B) and adjust for proper angle
3. Tighten screws on ball bracket to fix Mirror in desired position

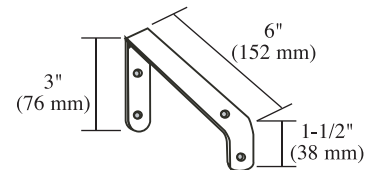


**Package Contents:**

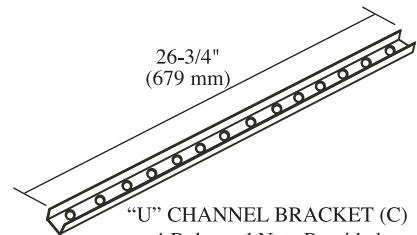
- (A) 1 - Mirror
- (B) 1 - "J" Bracket
- (C) 1 - "U" Channel Bracket
- (D) 1 - Base Plate Bracket
- 4 Bolts and Nuts Provided



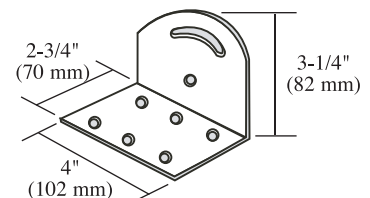
MIRROR (A)



"J" BRACKET (B)



"U" CHANNEL BRACKET (C)  
 4 Bolts and Nuts Provided



BASE PLATE BRACKET (D)