

C.R. LAURENCE

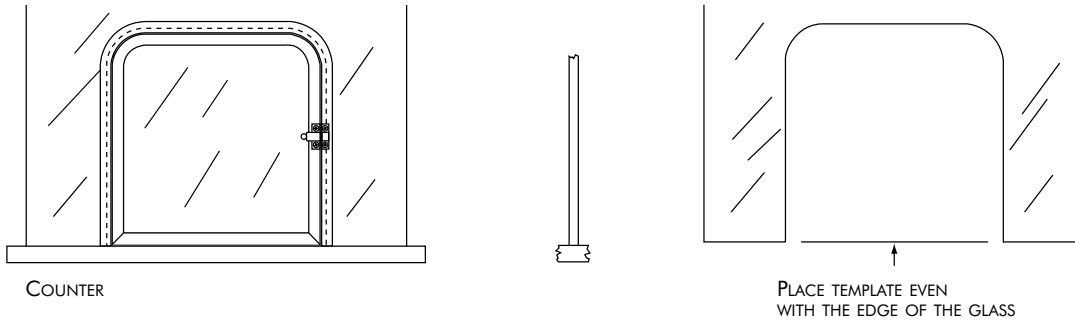
Installation Instructions

1213 SERIES CLEAR VIEW PACKAGE DOORS

CUTOUT: Read the three types of installations listed below before using the enclosed glass cutout template.

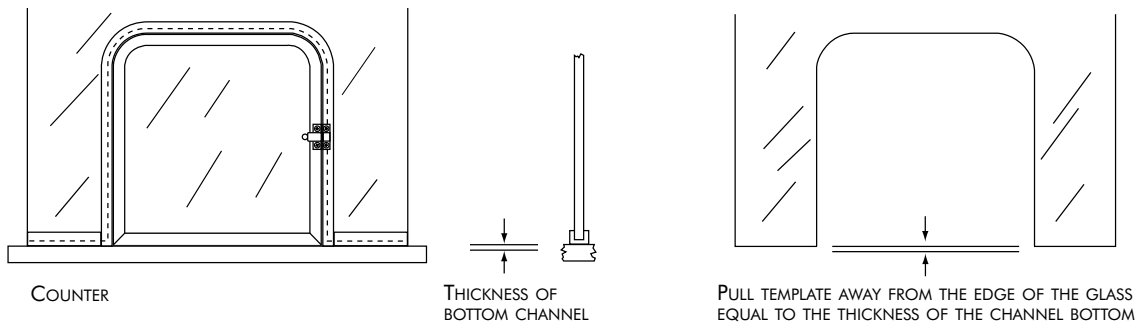
TYPE A INSTALLATION: GLASS IS SETTING ON TOP OF THE COUNTER

On installations where the glass is setting on top of the counter, take the enclosed template and place the edge of the template even with the edge of the glass and make the cutout.



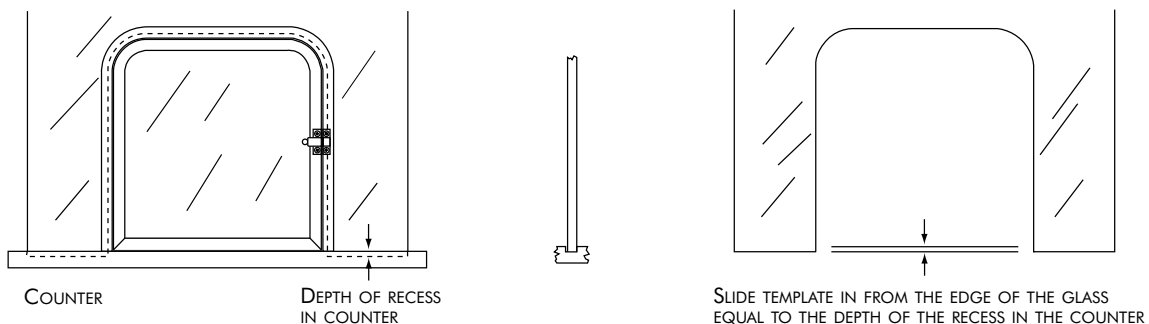
TYPE B INSTALLATION: GLASS IS SETTING IN A "U" CHANNEL ON TOP OF COUNTER

On installations where the glass is setting in a "U" Channel or metal sash on top of the counter, take the enclosed template and pull it away from the edge of the glass equal to the thickness of the bottom of the "U" Channel or sash you are using and make the cutout.



TYPE C INSTALLATION: GLASS IS SETTING IN A RECESSED GROOVE IN THE COUNTER

On installations where the glass is setting in a recessed groove in the counter, take the enclosed template and push it in from the edge of the glass equal to the depth of the recess in the counter and make the cutout.



(SEE OTHER SIDE FOR INSTALLATION INSTRUCTIONS)

C.R. Laurence Co., Inc. Toll Free (800) 421-6144 FAX (800) 262-3299

C.R. LAURENCE

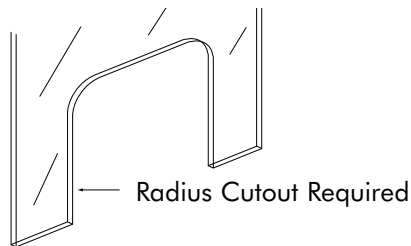
Installation Instructions

1213 SERIES CLEAR VIEW PACKAGE DOORS

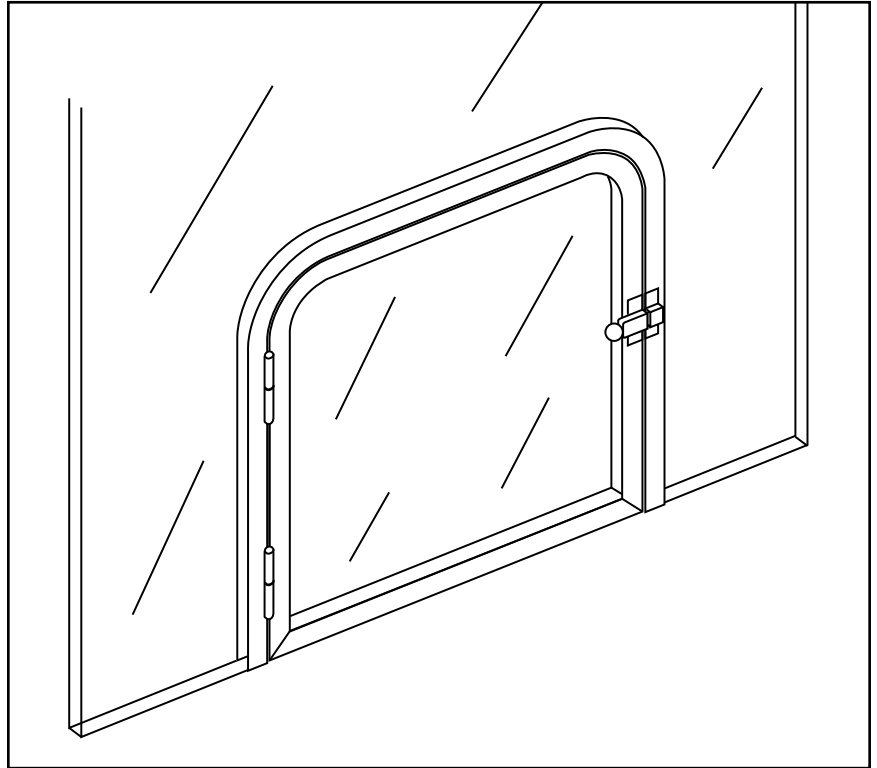
CONTENTS:

- 1 Assembled Clear View Package Door
- 1 Piece Black "U" Vinyl
- 1 Instruction Sheet
- 1 Glass Cutout Template

GLASS CUTOUT



(SEE OTHER SIDE FOR CUTOUT INSTRUCTIONS)



INSTALLATION INSTRUCTIONS:

READ ALL INSTRUCTIONS BEFORE STARTING INSTALLATION

1. PREPARE FOR INSTALLATION

Lay glass on a flat carpeted surface and seam the sharp edges of the cutout. This can be accomplished with a slight swipe with an abrasive sandpaper on both sides. Take the black vinyl and insert it on the cutout edge making sure the "U" is pressed tightly against the glass. Take a rubber lubricant or some soapy water and coat the outer edge of the vinyl. This will provide lubricity on which the outer frame of the package window will slide.

2. INSTALLATION OF THE PACKAGE DOOR FRAME

Take the package window, release the latch and open the door. Lift the door upwards and slide it off the hinge pins. This is important when attempting to glaze the unit as it will allow the legs to bend in slightly and make the glazing operation easier. With the door out, take the outer frame, being sure that the latch side is up and on the clerk's side of the window, and slide the frame up into place on the black vinyl. With a hammer and a 7" wood block lightly tap the top of the unit up until it fits securely. Then take the same block and tap the side legs perpendicular to the counter. NOTE: If using a metal "U" Channel on each side of the package unit, install the frame leaving the bottom thickness of the "U" Channel below the edge of the glass. For example, if the bottom edge of the "U" Channel is 3/16" high the outer legs of the package frame should be 3/16" below the edge of the glass. NOTE: If you are glazing in to a storefront metal glazing pocket, install the frame allowing glass the depth of the glazing pocket to be exposed at the bottom of the outer legs of the package frame. For example, if the glazing pocket is 3/8", the legs of the package frame should be 3/8" inside the cutout.

3. INSTALLATION OF THE PACKAGE DOOR

Now the glass door can be placed back on the hinge pins. Make sure that the catch and the latch align properly. If they are not aligned perfectly, tap the outer frame up or down as necessary to allow for the proper final alignment.

(SEE OTHER SIDE FOR CUTOUT INSTRUCTIONS)

C.R. Laurence Co., Inc. Toll Free (800) 421-6144 FAX (800) 262-3299